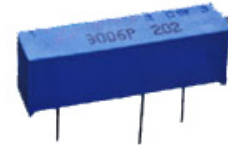


Features:

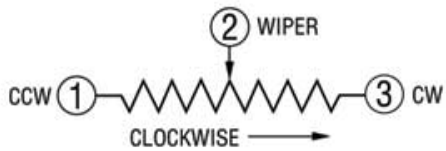
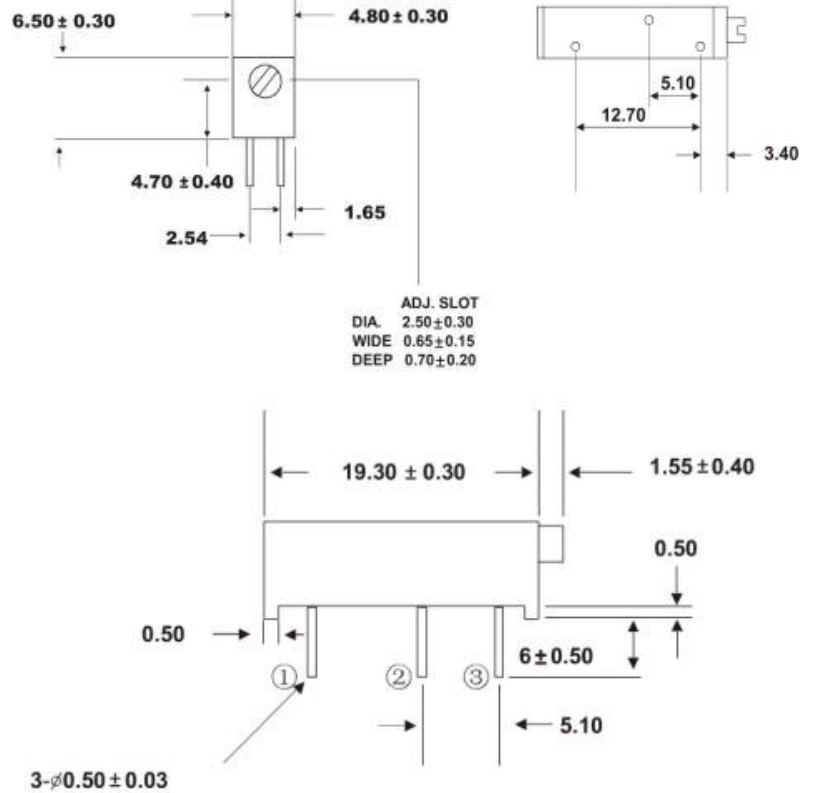
- Multi-turn cermet trimmer.
- Higher rated power thanks to the use of cermet resistor element.
- Cut-off structure offers excellent overall characteristics.
- Only 5mm thickness for board space saving.
- Excellent reliability for heat and humidity.
- Tighter resistance tolerances available.



3006P

Standard Resistance Range	50Ω~2MΩ
Resistance Tolerance	±10% (tighter % available)
Absolute Minimum Resistance	1% or 10Ω (whichever is greater)
Contact Resistance Variation	1% or 5Ω (whichever is greater)
Rotational Noise (method B for IEC)	≤3% or 5Ω (Select the bigger)
Resistance Temperature Coefficient	100ppm/°C
Rotational Life	200 cycles
Total Angle of Mechanical Rotation	22 ± 5 Circle
Starting Torque	3-35mN.m
Power Rating (315 volts max.)	0.75W @ 70°C
	0W @ 125°C
Withstand Voltage	640V AC 1min

Dimensions:



Resistance Code	Resistance (Ohms)
500	50
101	100
201	200
501	500
102	1000
202	2000
502	5000
103	10000
203	20000
253	25000
503	50000
104	100000
204	200000
254	250000
504	500000
105	1000000
205	2000000

Part Numbering System

