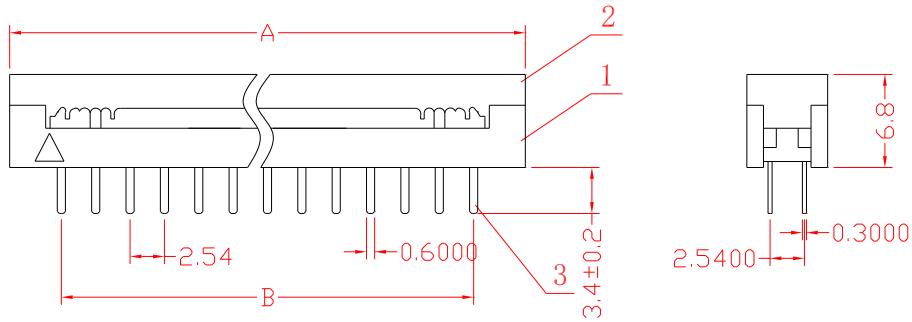
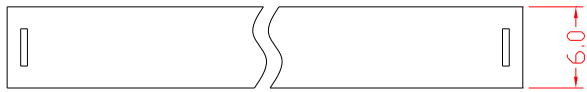


Corporation TRIMMER [www.trimmer.ru](http://www.trimmer.ru)



Corporation TRIMMER [www.trimmer.ru](http://www.trimmer.ru)



**Specifications:**

Contact Resistance: 30mΩ max.at DC 100 mA  
 Insulator Resistance: 1000MΩ min.at DC 500V  
 Current Rating: 1AMP  
 Corporation TRIMMER [www.trimmer.ru](http://www.trimmer.ru)  
 Dielectric Withstanding  
 Voltage: AC 500V For 1 minute  
 Operating Temperature:-55°C--+105°C  
 Contact: Phosphor bronze  
 Housing: PBT &30% Glass Fiber(UL 94V-0)

Position	A	B
10	17.80	10.16
14	22.82	15.24
16	25.40	17.78
20	30.52	22.86
26	38.12	30.48
30	43.32	35.56
34	48.40	40.64
40	55.92	48.26
50	68.72	60.96
60	81.42	73.66
64	86.38	78.74

FDC-10 , FDC-12 , FDC-14 , FDC-16 , FDC-20 , FDC -26 , FDC - 30 , FDC - 34 , FDC - 40 , FDC - 50 , FDC - 60 .